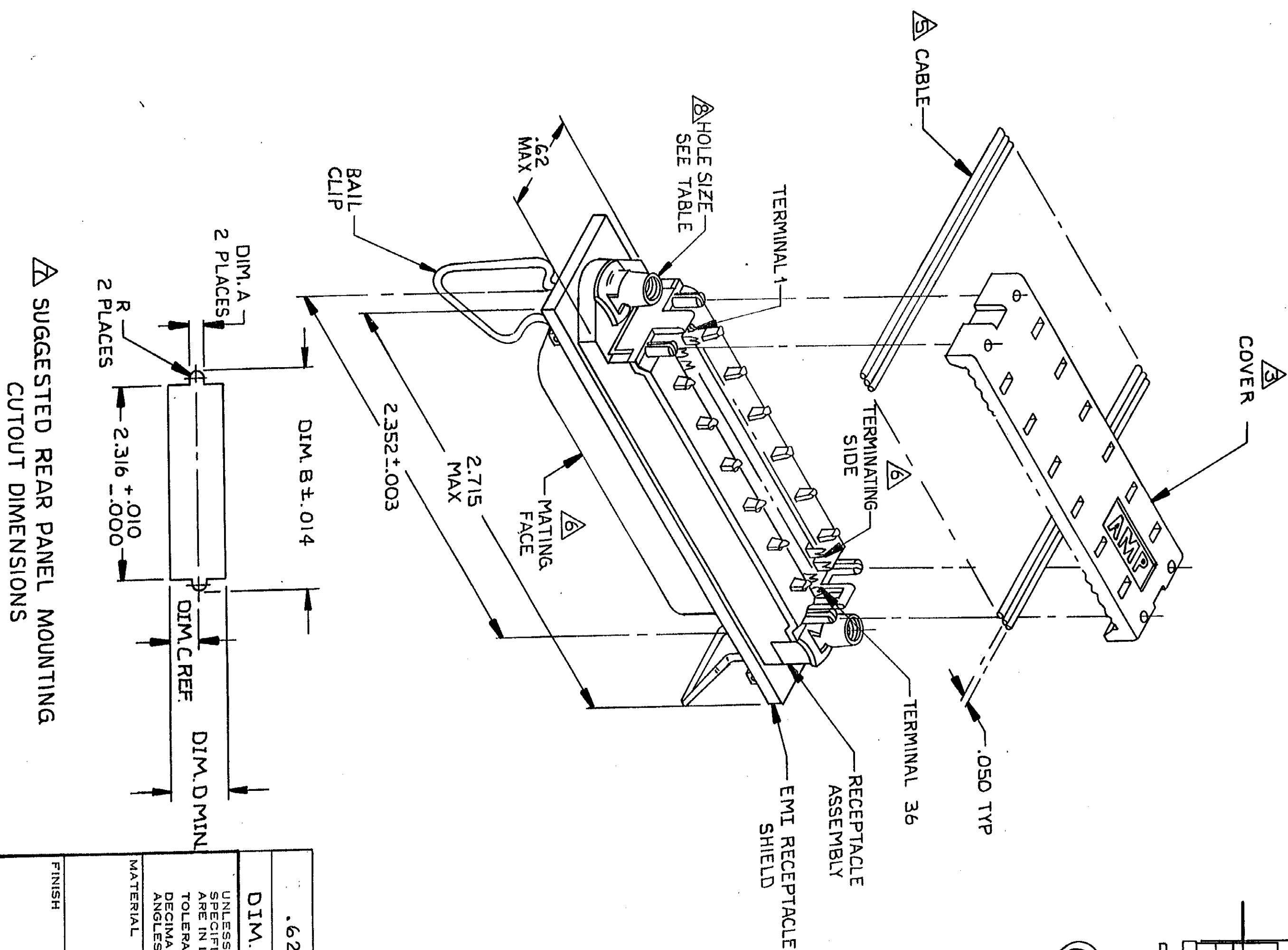
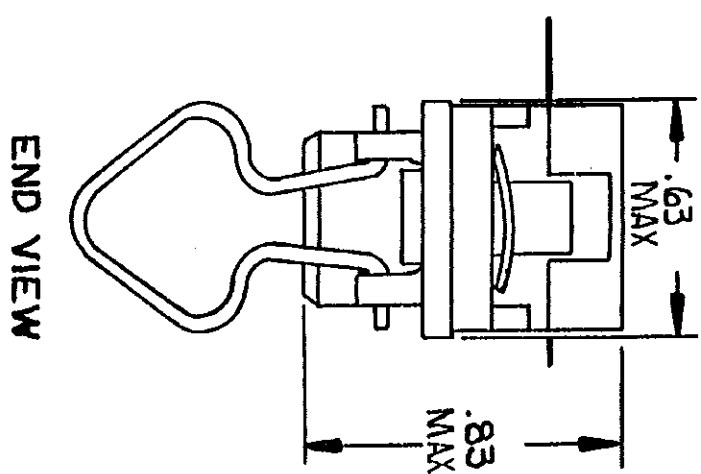


THIS DRAWING IS UNPUBLISHED. RELEASED FOR PUBLICATION  
 © COPYRIGHT 1983 BY AMP INCORPORATED, HARRISBURG, PA. ALL INTERNATIONAL RIGHTS RESERVED. AMP PRODUCTS MAY BE COVERED BY U.S. AND FOREIGN PATENTS AND/OR PATENTS PENDING.



△ SUGGESTED REAR PANEL MOUNTING CUTOUT DIMENSIONS



P	F	ZONE	L	T	R	DESCRIPTION	DATE	APPROVED
G						0850LETE-1:1:ECN AA-6958	11-9-91	LKS AH

1. THE CONTACT SURFACES OF THE TERMINALS ARE COATED WITH LUBRICANT.

△ MATERIAL: HOUSING & COVER - POLYPHENYLENE OXIDE (BLACK).  
 TERMINALS - GOLD OVER NICKEL PLATED HIGH STRENGTH COPPER ALLOY ON MATING FACE & GOLD FLASH OVER NICKEL PLATE ON TERMINATING SIDE.  
 EMI SHIELD - NICKEL PLATED DIE CASTING.  
 BAIL CLIPS - PASSIVATED STAINLESS STEEL.  
 HARDWARE - ZINC PLATED SPRING STEEL.

△ COVER SHOWN LOOSE BUT SHIPPED ASSEMBLED.

4. WIRE RANGE: 26 AWG SOLID THRU 30 AWG SOLID AND 28 AWG STRANDED RIBBON CABLE.

△ FLAT CABLE SHALL BE FURNISHED BY CUSTOMER.

△ MATING FACE CONSISTS OF TWO ROWS OF TERMINALS ON .085 CENTERS. TERMINATING SIDE CONSISTS OF TERMINALS ON .100 CENTERS FOR AN EFFECTIVE .050 TERMINATION.

△ PANEL THICKNESS RANGE: .062 MAX.

△ HOLES TO BE TAPPED AFTER PLATING.

10. FOR MORE INFORMATION REFER TO AMP PRODUCT SPECIFICATION 108-6076 & APPLICATION SPEC 114-6030.

DIM. D		.620	DIM. B		2.478	DIM. A		.126 ±.003	4-40 UNCL-2B	554346-2
DIM. C		.310	DIM. A			DIM. B			SHIELD HOLE SIZE	PART NO.
CONTRACT NO. <b>AMP</b> AMP INCORPORATED Harrisburg, Pa. 17105										
NAME: EMI RECEPTACLE ASSEMBLY, 36 POSITION, LOW PROFILE, SHIELDED, BAIL LOCK, CHAMP LATCH										
DR. <i>C. Uetzel</i> 12-8-83 CHK. <i>MD. Fiedel</i> 12-24-83 APPD. <i>[Signature]</i> 1/13/84 DSGN APPD. <i>[Signature]</i> OTHER APPD.										
FINISH: <b>△</b>										
SIZE			FSCM NO.		DRAWING NO.		SHEET 1 OF 1			
SCALE			C		00779		554346			

CUSTOMER DRAWING

554346

WAS 1250-83-12-1 f-2

AMP 1471-7